

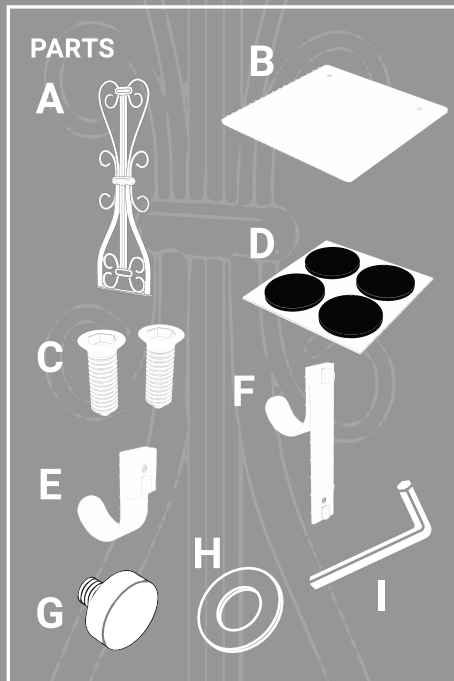
V 02153



www.VillageLighting.com

ELEGANT WREATH MANTLE HANGER

MODEL #: V-20850 SERIES



HAVE QUESTIONS OR NEED HELP?
PLEASE CONTACT US

VILLAGELIGHTING.COM/HELP
SUPPORT@VILLAGELIGHTING.COM
801-972-5119

