

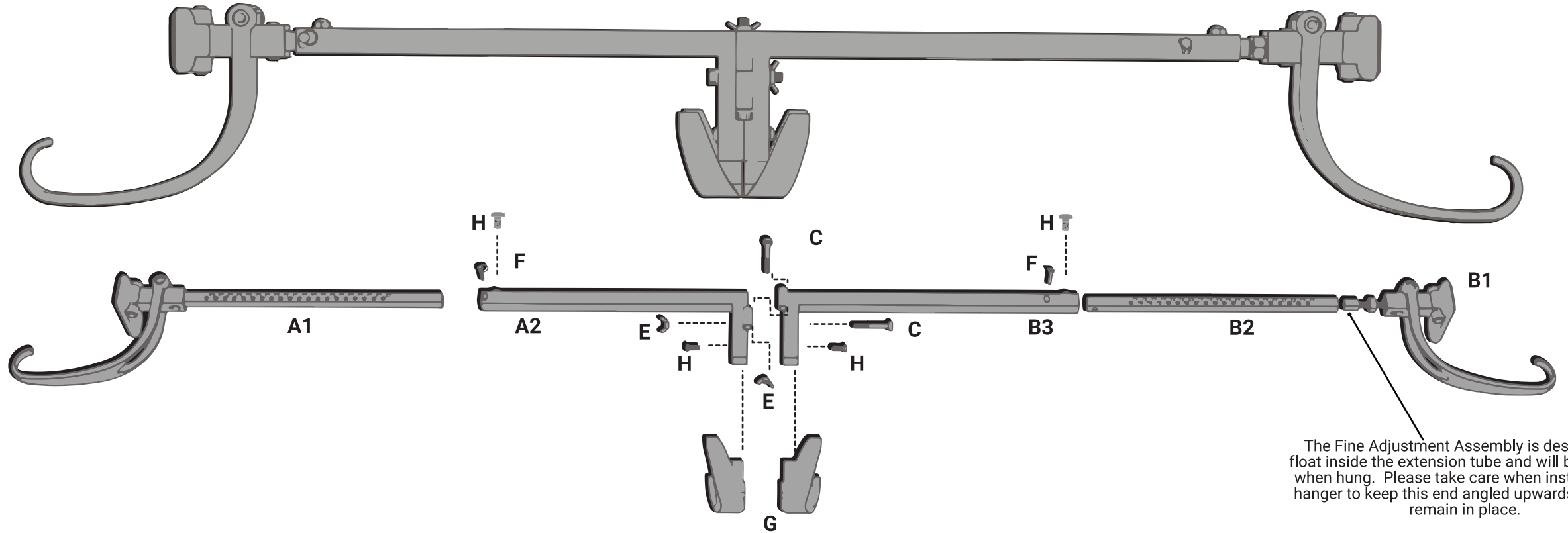
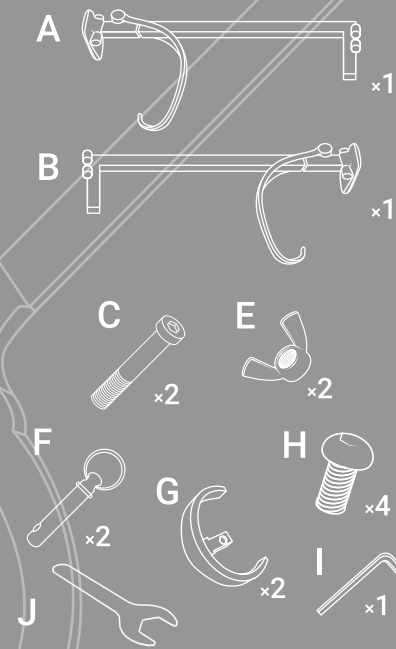


www.VillageLighting.com

# SINGLE DOOR GARLAND HANGER

V-20911 SERIES  
PATENT NO. US 8,777,023

## PARTS



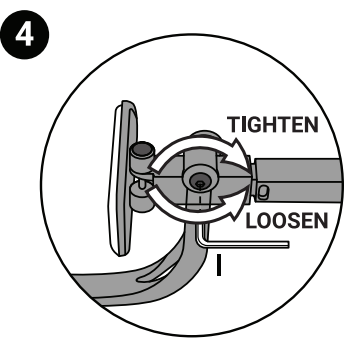
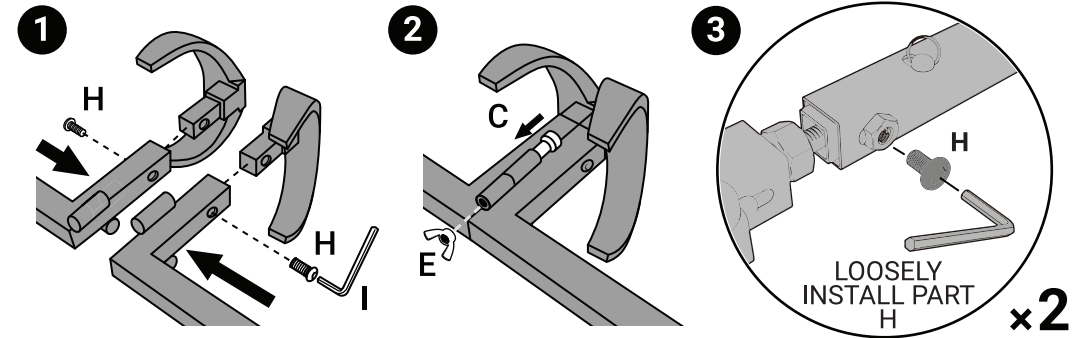
The Fine Adjustment Assembly is designed to float inside the extension tube and will be secured when hung. Please take care when installing the hanger to keep this end angled upwards so it will remain in place.

### BEFORE YOU INSTALL:

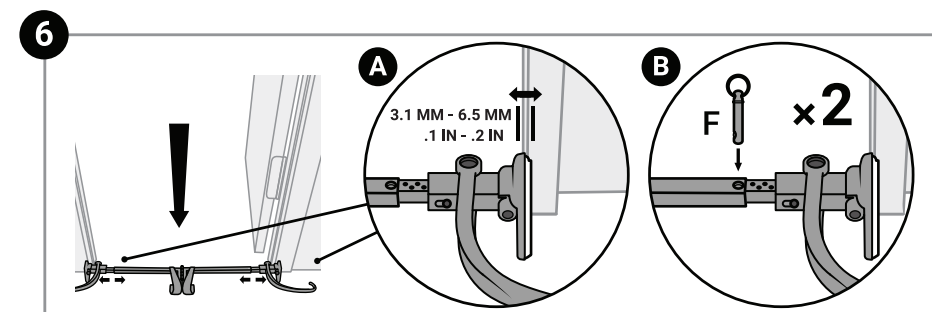
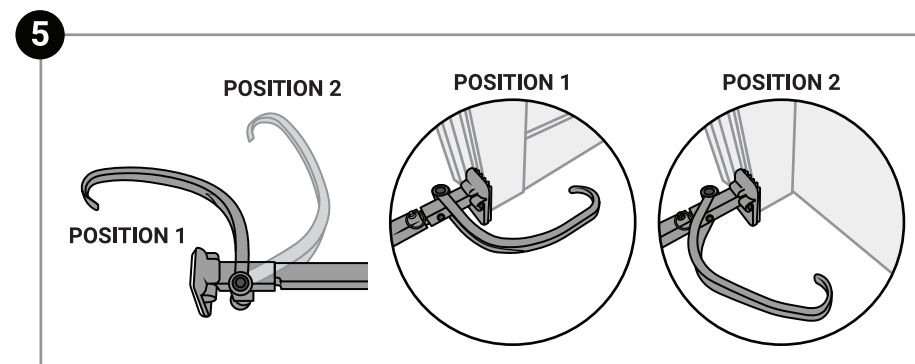
1. Is your door jamb between 35-52 inches wide?
2. Do you have at least 2.25 inches of exposed door frame IN FRONT of the door?
3. Your door opens inward (Away from the Garland Hanger).
4. Your door does NOT have a screen door in front of it.

1. This item hangs from above your door. If over-weighted or incorrectly installed, it may fall causing damage to the hanger and your decor.
2. Falling could also result in serious injury to people or items.
3. Do not hang anything other than garland from the garland hanger.
4. The garland hanger uses high pressure to secure it. Be careful when installing the hanger, especially at pinch points.

5. If a ladder is used, follow the safety instruction on your ladder and position it in a safe place. Always have someone assist you on the ladder for safety.
6. **DO NOT EXCEED 20 lb OF WEIGHT** on the garland hanger.
7. Save these instructions.



LOOSEN THE BOLT TO REPOSITION THE WING.



IT'S IMPORTANT TO FIX THE LENGTH OF THE ARMS TO BE SLIGHTLY WIDER THAN THE DOORWAY SO THE SPRINGS CAN COMPRESS AND PROVIDE SUFFICIENT FRICTION TO A TIGHT FIT. KEEP THE ADJUSTMENTS EQUAL ON BOTH SIDES AS BEST YOU CAN.



SCAN HERE FOR VIDEOS & PRODUCT SUPPORT



For assistance with assembly, replacement parts or to activate your warranty:

www.VillageLighting.com  
Support@VillageLighting.com

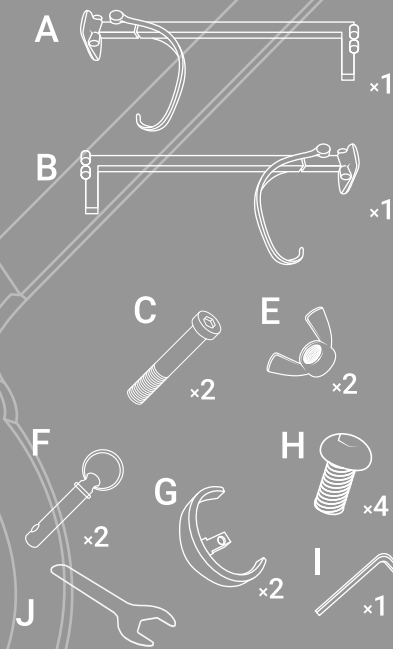


www.VillageLighting.com

# SINGLE DOOR GARLAND HANGER

V-20911 SERIES  
PATENT NO. US 8,777,023

## PARTS

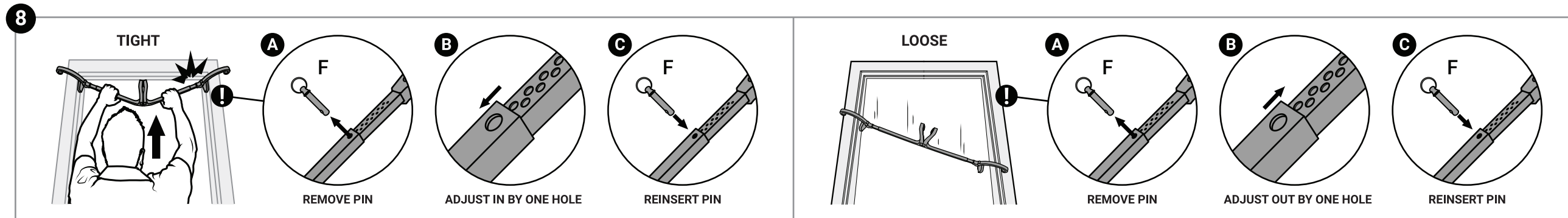


SCAN HERE FOR VIDEOS & PRODUCT SUPPORT



For assistance with assembly, replacement parts or to activate your warranty:

www.VillageLighting.com  
Support@VillageLighting.com



AFTER HANGING, GENTLY PULL DOWN TO TEST FIT. IF LOOSE, TAKE DOWN, EXTEND AN ARM ANOTHER NOTCH, AND TRY AGAIN. IF NOW TOO TIGHT, REVERT BACK AND USE THE FINE ADJUSTMENT IN STEP 11 TO COMPLETE THE FITTING.

